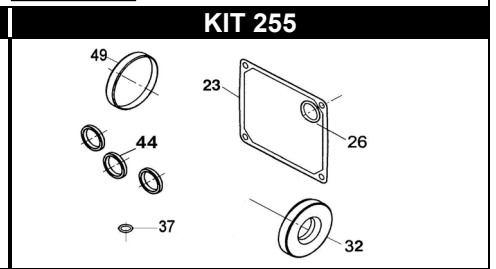
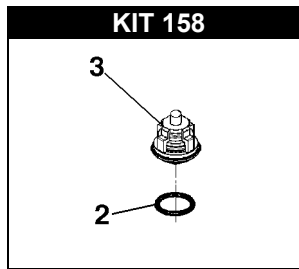
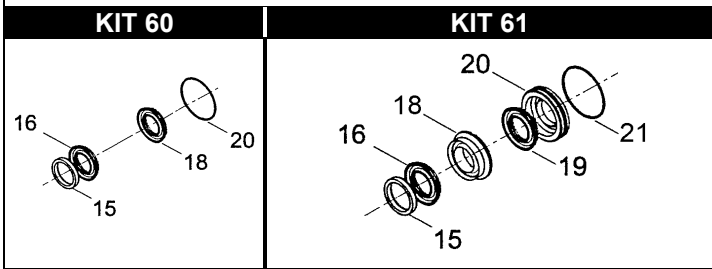
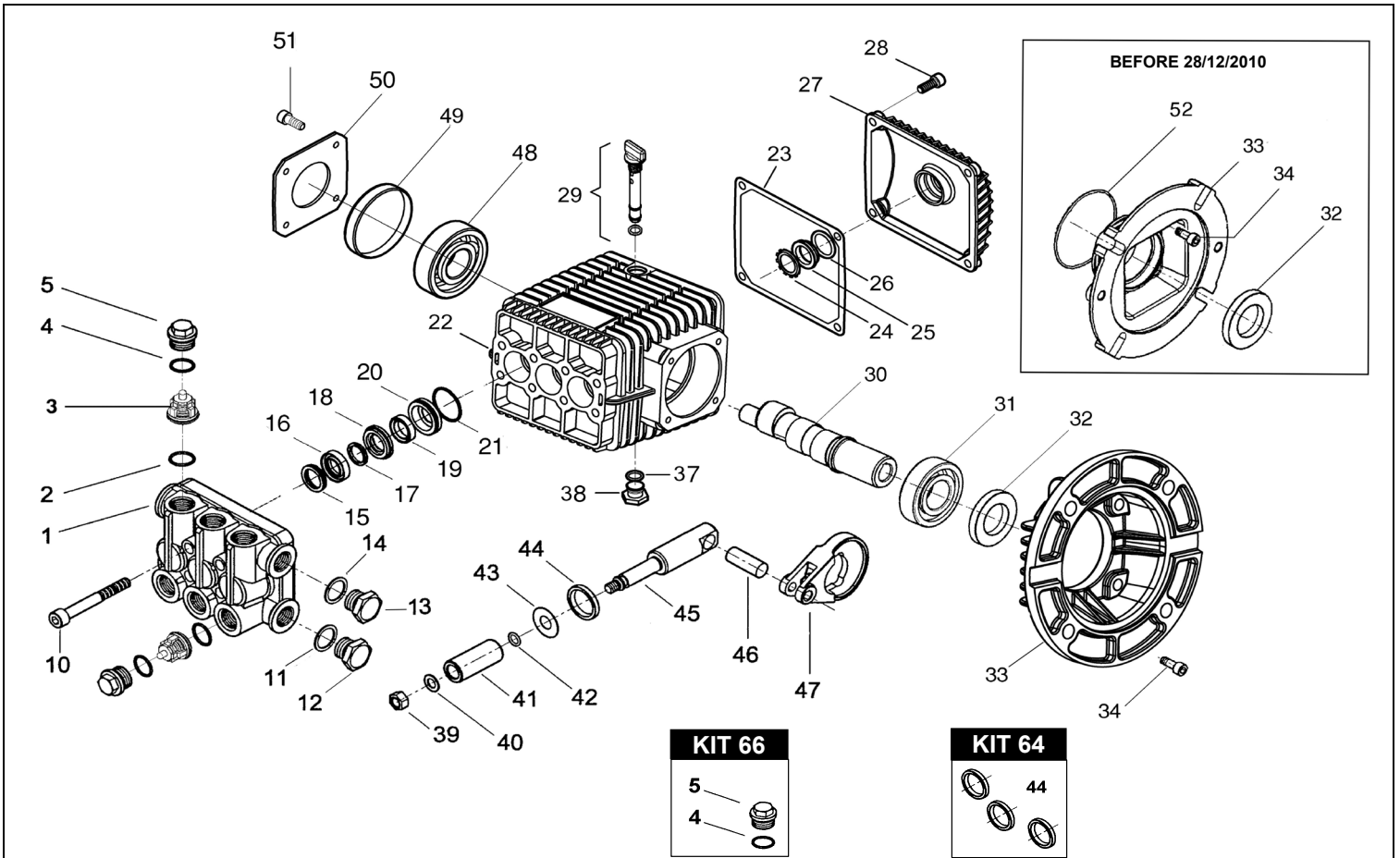


WJC-U 110 - 210 - 410 - 710



POS.	CODICE PART NO. RÉF.	DENOMINAZIONE - DESCRIPTION - DESCRIPTION	Q.TY
1	040108282	PUMP HEAD (D.15)	1
2-kit 84	803060002	O-RING D.1,78X12,42	6
3-kit 84	049957973	CHECK VALVE	6
4-kit 66	803066002	O-RING 1,78X15,6	6
5-kit 66	040103532	VALVE CAP	6
10	862900002	SCREW M8X55 UNI 5931	4
11	824109002	COPPER GASKET DIA.17X22X1	1
12	852579002	PLUG G 3/8	1
12	852579532	PLUG G 3/8 BRASS (OPTIONAL)	1
13	852579002	PLUG G 3/8	1
13	852579532	PLUG G 3/8 BRASS (OPTIONAL)	1
14	824109002	COPPER GASKET DIA.17X22X1	1
15-kit 60-61	040019322	SEAL PACKER	3
16-kit 60-61	802062002	V PACKING DIA.15-28	3
18-kit 61	040105532	FRONT BRASS GLAND DIA.15 MM	3
19-kit 60-61	802034002	U PRESSURE SEAL DIA.15-22	3
20-kit 61	040104532	BACK BRASS GLAND DIA.15 MM.	3
21-kit 60-61	803073002	O-RING DIA.23,52X1,78	3
22	040101092	CRANKCASE (before 12/2005)	1
22	040362092	CRANKCASE (from 01/2006)	1
23-kit 255	050050722	CRANKCASE COVER GASKET	1
24	801184002	RING	1
25	040120322	OIL SIGHT GLASS	1
26-kit 255	803189002	O-RING DIA.2,62X18,72	1
27	040106092	REAR COVER	1
28	862166002	SCREW M6X20 UNI5931	4
29	049832973	FILLER PLUG G1/4	1
30/1	040453262	HOLLOW CRANKSHAFT WJC-U 110	1

POS.	CODICE PART NO. RÉF.	DENOMINAZIONE - DESCRIPTION - DESCRIPTION	PCS.
30/2	040418262	HOLLOW CRANKSHAFT WJC-U 210	1
30/3	040444262	HOLLOW CRANKSHAFT WJC-U 410	1
30/4	040447262	HOLLOW CRANKSHAFT WJC-U 710	1
31	812837002	BALL BEARING 35X62X14	1
32-kit 255	802153002	OIL SEAL DIA.35X62X7 (from 28/12/2010)	1
32	802143002	OIL SEAL DIA.35X52X7 (before 28/12/2010)	1
33	040482092	MOTOR FLANGE (from 28/12/2010)	1
33	040056072	MOTOR FLANGE (before 28/12/2010)	1
34	862261002	SCREW M6X30 UNI5931 (from 28/12/2010)	4
34	862166002	SCREW M6X20 UNI5931 (before 28/12/2010)	4
37-kit 255	803057002	O-RING 1,78X9,25	1
38	852543502	CAP G. 1/4 X9	1
39	814561002	STAINLESS STEEL NUT M8 UNI 5589	3
40	843642902	WASHER DIA.8,1X14X1	3
41	040010182	CERAMIC PISTON DIA.15 MM	3
42	803049002	O-RING DIA.1,78X5,28	3
43	843726002	WASHER DIA.9,1X24X1	3
44-kit 64-255	802035002	OIL SEAL DIA.15X24X5	3
45	040012512	PLUNGER ROD	3
46	852003002	PISTON PIN DIA.8X25	3
47	040115092	CONROD	3
48	812707002	BALL BEARING 25X52X15	1
49-kit 255	802099602	CAP RCA 52-7	1
50	050045612	CRANKCASE COVER	1
51	861955002	SCREW M6X10 UNI 5931	4
52	803210002	O-RING D.2,62X56,82 (before 28/12/2010)	1

REPAIR KIT	ITEM NO.s INCLUDED	PCS.	
kit 60	049818973	SPARE PARTS KIT	12
kit 61	049819973	SPARE PARTS KIT	18
kit 158	049959973	SPARE PARTS KIT	12
kit 64	049836973	SPARE PARTS KIT	3
kit 66	049838973	SPARE PARTS KIT	12
kit 255	049987973	SPARE PARTS KIT	8