

# highest quality state of the art CUSTOMER QUALITY OF SERVICE PRECISION OF PARTS

# RAL



## CARATTERISTICHE - SPECIFICATIONS

|       |          |                |                    |
|-------|----------|----------------|--------------------|
| IN    | DIAMETER | Ø              | 1" BSP             |
|       | PRESS.   | Min.           | -0.1 bar - 1.5 PSI |
|       |          | Max.           | 6 bar 87 PSI       |
| TEMP. | Max.     | 74° C. 165° F. |                    |

|     |          |   |         |
|-----|----------|---|---------|
| OUT | DIAMETER | Ø | 3/8 BSP |
|-----|----------|---|---------|

|       |  |   |       |
|-------|--|---|-------|
| SHAFT |  | Ø | 30 mm |
|-------|--|---|-------|

|     |           |                      |
|-----|-----------|----------------------|
| OIL | SAE 75W90 | 1.5 litri 0.4 U.S.G. |
|-----|-----------|----------------------|

|             |        |             |
|-------------|--------|-------------|
| PESO WEIGHT | Kg lbs | 18.5 / 40.7 |
|-------------|--------|-------------|



INTELLIseal™

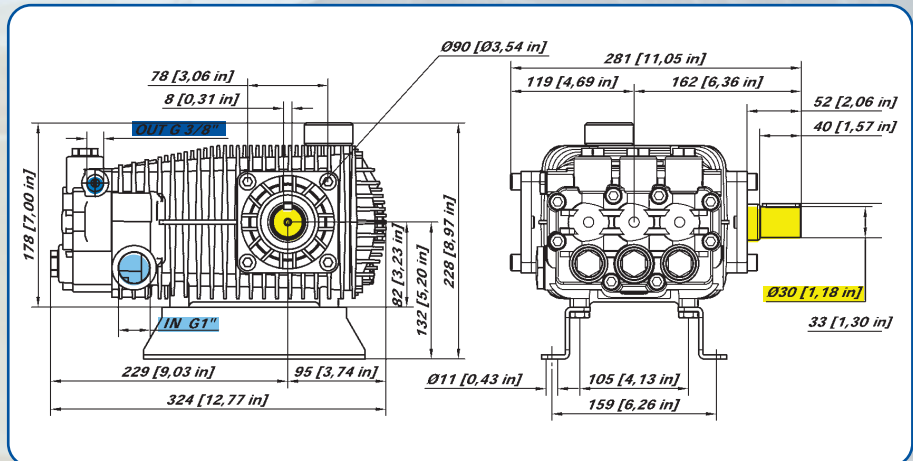


Dx Bz B O

OPTIONAL

F Sx G M

KIT PIEDINI cod. 08.9829.97.3 (optional)  
 MOUNTING RAILS KIT cod. 08.9829.97.3 (optional)  
 KIT SUPPORTS cod. 08.9829.97.3 (option)  
 JUEGO DE PIES cod. 08.9829.97.3 (opción)



## CARATTERISTICHE - FEATURES

## PERFORMANCE CHART

| MODELLO MODEL<br>CODICE CODE | MAX   |     | PRESS |      | RPM 950 |     |      |      | RPM 1450 |     |      |      | RPM 1725     |     |      |      | PIST. CORSA<br>PLUNG. STROKE |    |
|------------------------------|-------|-----|-------|------|---------|-----|------|------|----------|-----|------|------|--------------|-----|------|------|------------------------------|----|
|                              | L/min | GPM | Bar   | PSI  | L/min   | GPM | KW   | HP   | L/min    | GPM | KW   | HP   | L/min        | GPM | KW   | HP   | Dia. mm                      | mm |
| RAL 1640<br>08.1019.97.3     | 19.6  | 5.2 | 300   | 4350 | 11.0    | 2.9 | 6.5  | 8.7  | 16.6     | 4.4 | 9.8  | 13.1 | 19.6         | 5.2 | 11.5 | 15.5 | 18                           | 16 |
|                              |       |     | 350   | 5075 | 10.9    | 2.9 | 7.5  | 10.1 | 16.5     | 4.4 | 11.4 | 15.2 | 19.5         | 5.1 | 13.4 | 17.9 |                              |    |
|                              |       |     | 400   | 5800 | 10.9    | 2.9 | 8.5  | 11.5 | 16.4     | 4.3 | 12.9 | 17.3 | 19.4         | 5.1 | 15.2 | 20.4 |                              |    |
| RAL 1840<br>08.1005.97.3     | 22.0  | 5.8 | 300   | 4350 | 12.4    | 3.3 | 7.3  | 9.8  | 18.7     | 4.9 | 11.0 | 14.8 | 22.0         | 5.8 | 13.0 | 17.4 | 18                           | 18 |
|                              |       |     | 350   | 5075 | 12.3    | 3.3 | 8.5  | 11.3 | 18.6     | 4.9 | 12.8 | 17.1 | 21.9         | 5.8 | 15.1 | 20.2 |                              |    |
|                              |       |     | 400   | 5800 | 12.2    | 3.2 | 9.6  | 12.9 | 18.5     | 4.9 | 14.5 | 19.5 | 21.8         | 5.8 | 17.1 | 23.0 |                              |    |
| RAL 2035<br>08.1021.97.3     | 24.2  | 6.4 | 250   | 3625 | 13.6    | 3.6 | 6.7  | 8.9  | 20.5     | 5.4 | 10.1 | 13.5 | 24.2         | 6.4 | 11.9 | 15.9 | 20                           | 16 |
|                              |       |     | 300   | 4350 | 13.5    | 3.6 | 8.0  | 10.7 | 20.4     | 5.4 | 12.0 | 16.1 | 24.0         | 6.4 | 14.2 | 19.0 |                              |    |
|                              |       |     | 350   | 5075 | 13.4    | 3.5 | 9.2  | 12.4 | 20.3     | 5.4 | 14.0 | 18.7 | 23.9         | 6.3 | 16.4 | 22.0 |                              |    |
| RAL 2335<br>08.1022.97.3     | 23.1  | 6.1 | 250   | 3625 | 15.3    | 4.0 | 7.5  | 10.1 | 23.1     | 6.1 | 11.3 | 15.2 | N.D.<br>N.A. | 20  | 18   |      |                              |    |
|                              |       |     | 300   | 4350 | 15.2    | 4.0 | 8.9  | 12.0 | 23.0     | 6.1 | 13.5 | 18.1 |              |     |      |      |                              |    |
|                              |       |     | 350   | 5075 | 15.1    | 4.0 | 10.4 | 13.9 | 22.8     | 6.0 | 15.7 | 21.1 |              |     |      |      |                              |    |

## CARATTERISTICHE - SPECIFICATIONS

|             |          |                |                      |
|-------------|----------|----------------|----------------------|
| IN          | DIAMETER | $\varnothing$  | 1" BSP               |
|             | PRESS.   | Min.           | -0.1 bar - 1.5 PSI   |
|             |          | Max.           | 6 bar 87 PSI         |
| TEMP.       | Max.     | 74° C. 165° F. |                      |
| OUT         | DIAMETER | $\varnothing$  | 3/8 BSP              |
| SHAFT       |          | $\varnothing$  | 30 mm                |
| OIL         |          | SAE 75W90      | 1.5 litri 0.4 U.S.G. |
| PESO WEIGHT |          | Kg lbs         | 18.5 / 40.7          |



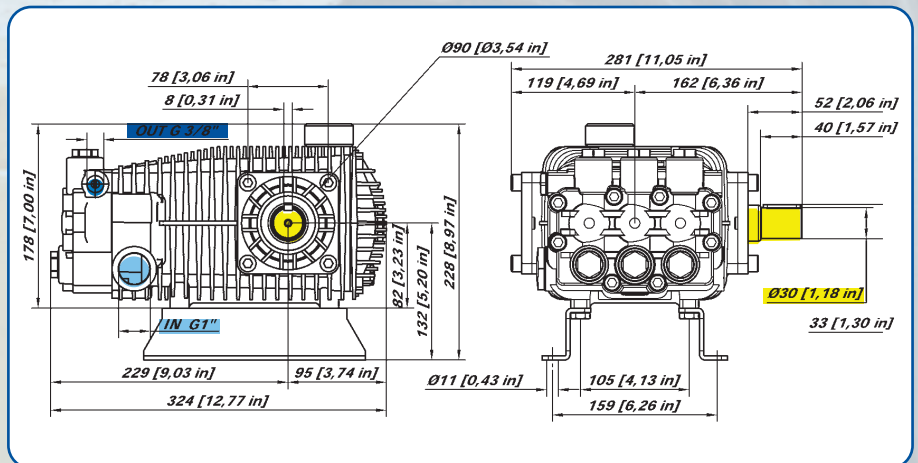
INTELLiSeal™



OPTIONAL



KIT PIEDINI cod. 08.9829.97.3 (optional)  
 MOUNTING RAILS KIT cod. 08.9829.97.3 (optional)  
 KIT SUPPORTS cod. 08.9829.97.3 (option)  
 JUEGO DE PIES cod. 08.9829.97.3 (opción)



## CARATTERISTICHE - FEATURES

## PERFORMANCE CHART

| MODELLO MODEL<br>CODICE CODE | MAX   |     | PRESS |      | RPM 950 |     |      |      | RPM 1450 |     |      |      | RPM 1725 |      |      |      | PIST. CORSA<br>PLUNG. STROKE |    |  |  |
|------------------------------|-------|-----|-------|------|---------|-----|------|------|----------|-----|------|------|----------|------|------|------|------------------------------|----|--|--|
|                              | L/min | GPM | Bar   | PSI  | L/min   | GPM | KW   | HP   | L/min    | GPM | KW   | HP   | L/min    | GPM  | KW   | HP   | Dia. mm                      | mm |  |  |
| RAL 2535<br>08.1000.97.3     | 25.0  | 6.6 | 250   | 3625 | 16.5    | 4.4 | 8.1  | 10.9 | 25.0     | 6.6 | 12.3 | 16.5 | N.D.     | N.A. | 20   | 19.5 |                              |    |  |  |
|                              |       |     | 300   | 4350 | 16.5    | 4.3 | 9.7  | 13.0 | 24.9     | 6.6 | 14.7 | 19.6 |          |      |      |      |                              |    |  |  |
|                              |       |     | 350   | 5075 | 16.4    | 4.3 | 11.3 | 15.1 | 24.7     | 6.5 | 17.0 | 22.8 |          |      |      |      |                              |    |  |  |
| RAL 2825<br>08.1036.97.3     | 32.9  | 8.7 | 170   | 2465 | 18.5    | 4.9 | 6.2  | 8.3  | 27.9     | 7.4 | 9.3  | 12.5 | 32.9     | 8.7  | 11.0 | 14.7 | 22                           | 18 |  |  |
|                              |       |     | 210   | 3045 | 18.4    | 4.9 | 7.6  | 10.2 | 27.8     | 7.3 | 11.5 | 15.4 | 32.7     | 8.6  | 13.5 | 18.1 |                              |    |  |  |
|                              |       |     | 250   | 3625 | 18.3    | 4.8 | 9.0  | 12.0 | 27.6     | 7.3 | 13.6 | 18.2 | 32.6     | 8.6  | 16.0 | 21.4 |                              |    |  |  |
| RAL 3025<br>08.1002.97.3     | 29.9  | 7.9 | 170   | 2465 | 19.8    | 5.2 | 6.6  | 8.9  | 29.9     | 7.9 | 10.0 | 13.4 | N.D.     | N.A. | 22   | 19.5 |                              |    |  |  |
|                              |       |     | 210   | 3045 | 19.7    | 5.2 | 8.1  | 10.9 | 29.8     | 7.9 | 12.3 | 16.5 |          |      |      |      |                              |    |  |  |
|                              |       |     | 250   | 3625 | 19.6    | 5.2 | 9.6  | 12.9 | 29.6     | 7.8 | 14.5 | 19.5 |          |      |      |      |                              |    |  |  |