

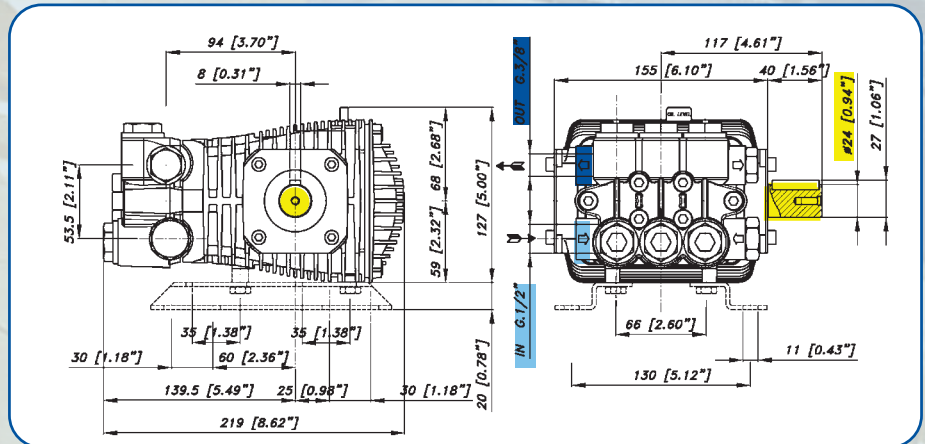
CARATTERISTICHE - SPECIFICATIONS

		WML	WML-F
IN	DIAMETER	∅ 1/2 BSP	1/2 BSP
	PRESS.	Min. -0.1 bar - 1.5 PSI	1 bar 15 PSI
		Max. 6 bar 87 PSI	6 bar 87 PSI
TEMP.	Max. 60° C. - 140° F.		
OUT	DIAMETER	∅ 3/8 BSP	
SHAFT		∅ 24 mm	
OIL	SAE 75W 90	0.6 litri	0.16 U.S.G.
PESO WEIGHT	Kg / lbs	7 / 14.4	



WML				Dx	T	B
WML-F				Dx	B	Bz
OPTIONAL						

KIT PIEDINI cod. 04.9833.97.3 (optional)
 MOUNTING RAILS KIT cod. 04.9833.97.3 (optional)
 KIT SUPPORTS cod. 04.9833.97.3 (option)
 JUEGO DE PIES cod. 04.9833.97.3 (opción)



CARATTERISTICHE - FEATURES PERFORMANCE CHART

CODICE CODE	MODELLO MODEL	PRESS MAX / MAX PRESSURE		PORTATA / FLOW		POTENZA / POWER		PIST. PLUNG. Dia. mm	CORSA STROKE mm
		Bar	PSI	L/min	GPM	KW	HP		
04.8000.97.3	WML 1117	170	2500	11	2.9	3.3	4.5	18	9.8
04.8001.97.3	WML 1214	140	2000	12	3.15	2.9	4	18	10.8
04.8002.97.3	WML 1217	170	2500	12	3.15	3.6	5		
04.8003.97.3	WML 1316	170	2500	13	3.43	4	5.5	18	12.4
04.8004.97.3	WML 1515	150	2200	15	3.96	4	5.5	18	13.6
04.8009.97.3	WML 1520 - B	200	2900	15	3.96	5.5	7.4		

WML-F 2800 rpm

04.8100.97.3	WML 1114 F	140	2000	11	2.9	2.9	4	15	8
04.8101.97.3	WML 1117 F	170	2500	11	2.9	3.6	5		
04.8102.97.3	WML 1120 F	200	2900	11	2.9	4	5.5		
04.8103.97.3	WML 1316 F	160	2350	13	3.43	4	5.5	15	9.8
04.8104.97.3	WML 1320 F	200	2900	13	3.43	5.1	7		
04.8105.97.3	WML 1515 F	150	2200	15	3.96	4	5.5	15	10.8
04.8106.97.3	WML 1520 F	200	2900	15	3.96	5.5	7.5		