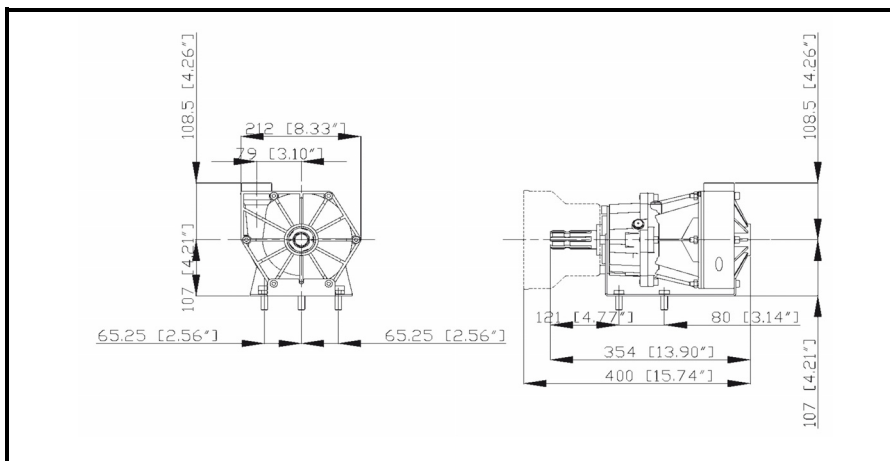


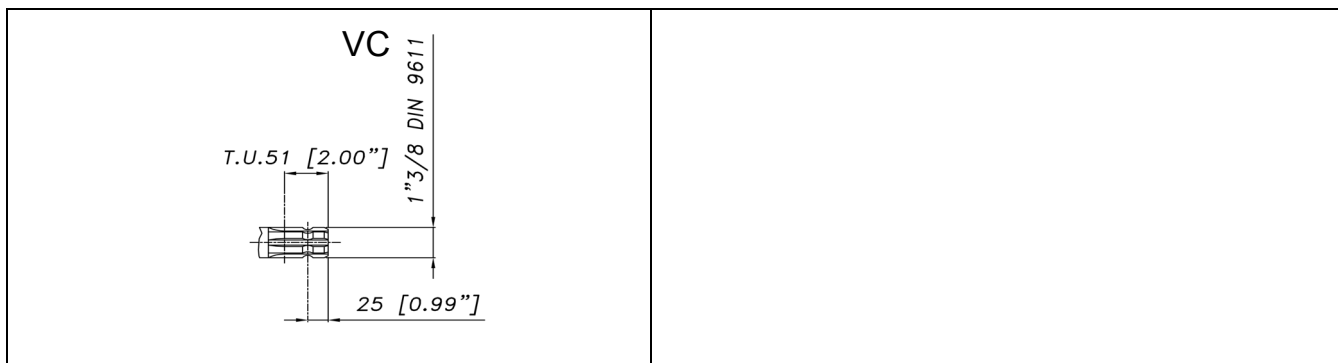
IMPELLER 350P



DIMENSIONI D'INGOMBRO - OVERALL DIMENSIONS



ALBERO POMPA - PUMP SHAFT

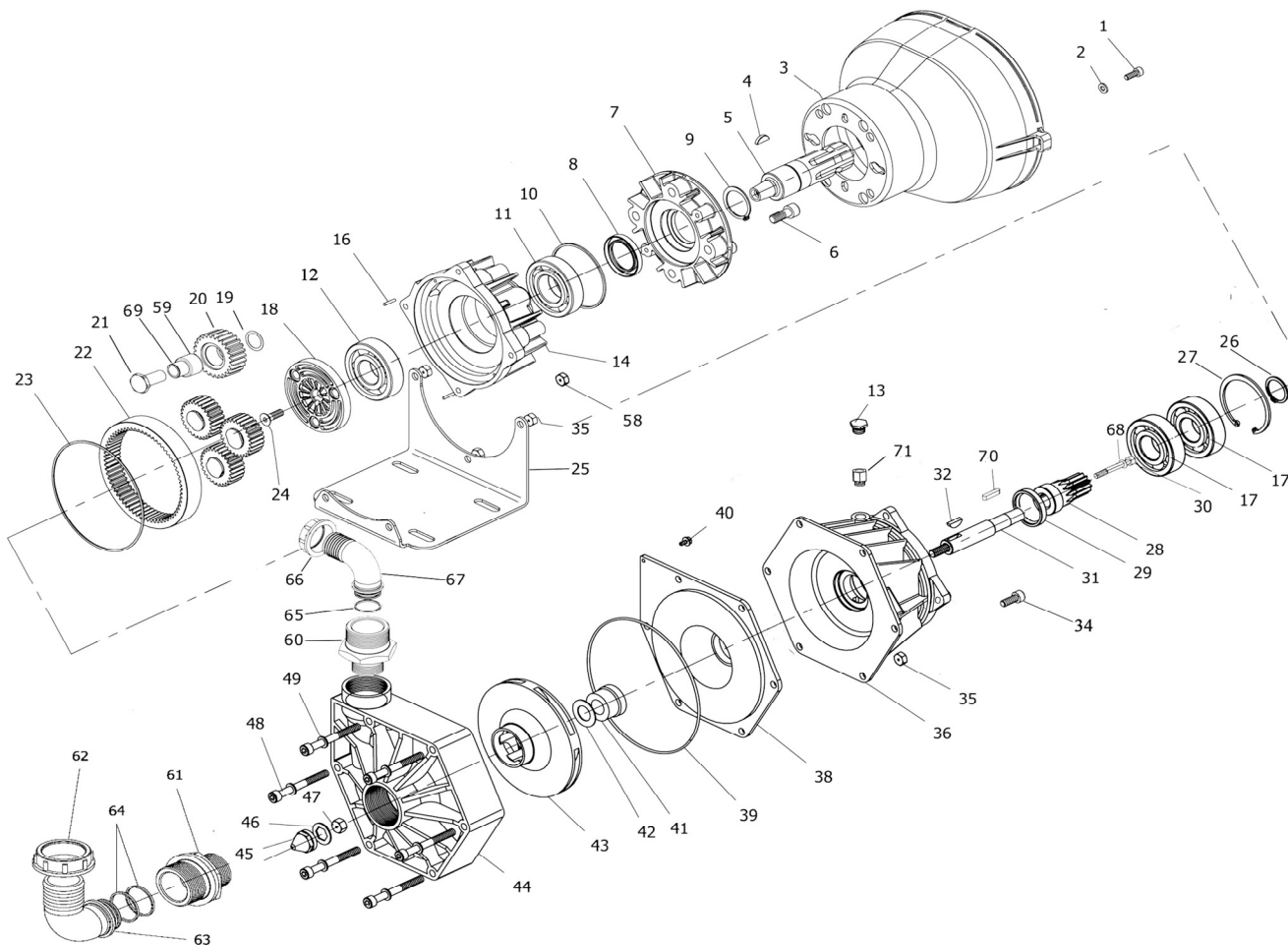


COPPIA DI SERRAGGIO - TORQUE CHART					
CODICE - CODE	Q.TY	POS	N.m	Lbr.ft	
86.2355.00.2	1	30	10	7.3	
86.3002.00.2	6	48	12	8.8	
31.1705.00.2	1	47	15	11.0	
31.1739.49.2	3	21	45	33.1	
86.2682.60.2	2	24	25	18.4	
86.3300.00.2	4	6	40	29.5	
86.2730.00.2	4	34	25	18.4	
85.2582.00.2	1	13	-	-	

Tolleranza di serraggio:
Tolerance on torque value: 0/-10%

INFORMAZIONI UTILI USEFUL INFORMATION				
LUBRIFICANTE - LUBRICANT: OLIO MOTORE O SEMIIDRAULICO SAE 75-W90 MOTOR OIL OR SEMI-HYDRAULIC OIL SAE 75-W90				
PRESSIONE ACCUMULATORE ACCUMULATOR PRESSURE				
PRESSIONE DI LAVORO - OPERATING PRESSURE	2 ÷ 5	5÷10	10 ÷ 20	20 ÷ 50
ACCUMULATORE ACCUMULATOR	/	/	/	/

IMPELLER 350P



POS.	CODICE PART NO. REF.	DENOMINAZIONE - DESCRIPTION - DESCRIPTION	Q.TY	POS.	CODICE PART NO. REF.	DENOMINAZIONE - DESCRIPTION - DESCRIPTION	Q.TY
1	86.2108.00.2	BOLT TCEI M6x16 (OPT.)	2	1	31.1704.00.2	WOODRUFF KEY	1
2	84.3585.00.2	WASHER DIA. 6,5x12,5 (OPT.)	2	34	86.2730.00.2	BOLT M8x30	4
3	31.1482.32.2	PLAIN SAFETY CONE (OPT.)	1	35	81.4574.50.2	NUT M8	10
4	80.6430.00.2	TAB	1	36	31.1763.07.2	COVER GEAR COVER	1
5	31.1711.49.2	SPLINED SHAFT	1	38	31.1699.32.2	BACK COVER	1
6	86.3300.00.2	BOLT M10x30	4	37	80.3210.91.2	O-RING DIA. 2,6x164,77	1
7	31.1712.07.2	COVER	1	40	31.1709.00.2	SCREW SELF TAPPING HEX HD	1
8	80.2143.30.2	OIL SEAL DIA. 35x52x7	1	41	31.1753.33.2	MECHANICAL SEAL	1
9	80.1264.00.2	SNAP RING DIA. 35	1	42	31.1702.31.2	GASKET	1
10	80.3210.61.2	O-RING DIA. 2,62x77,47	1	43	31.1703.32.2	IMPELLER	1
11	81.2847.00.2	BEARING 35X72X17	2	44	31.1708.32.2	PUMP CASING	1
13	85.2582.00.2	CAP G. 3/8	1	45	31.1706.32.2	SEAL- NUT	1
14	31.1741.08.2	CASING	1	46	31.1707.31.2	WASHER	1
16	85.1024.00.2	PIN DIA. 3x16	2	47	31.1705.00.2	NUT -JAM	1
17	81.2740.50.2	BEARING 30X55X13	2	48	86.3002.00.2	BOLT M8x75	6
18	31.1731.07.2	PLATE	1	49	84.3685.50.2	WASHER DIA. 8,2x15x1,5	6
19	84.4100.00.2	WASHER	3	59	81.2579.00.2	BUSH 16-22-16	3
20	31.1733.48.2	GEAR Z=26	3	60	83.5090.35.2	NIPPLE G.1"1/4-G.1"1/2 M-M	1
21	31.1739.49.2	PIN	3	61	83.5095.00.2	NIPPLE G.1/2-G.2" M-M	1
22	31.1678.48.2	RING GEAR Z=66	1	62	82.0120.00.2	WING NUT G.2"	1
23	80.3210.70.2	O-RING DIA. 2,62x126,67	1	63	84.0610.00.2	CONNECTOR 90°X HOSE D.50-1,96"	1
24	86.2682.60.2	BOLT TSEI M8x25	1	64	80.3209.10.2	O-RING 2,62X40,95	2
25	31.1819.61.2	FOOT	1	65	80.3219.10.2	O-RING 3.0X30	1
26	80.1218.00.2	SNAP RING DIA. 28	1	66	82.0070.00.2	WING NUT G.1"1/2	1
27	80.1376.00.2	SNAP RING DIA.55	1	67	84.0561.00.2	CONNECTOR 90°FOR HOSE D.30-1,18"	1
28	31.1677.49.2	PINION	1	68	84.3587.00.2	WASHER D.6,2X11X1	1
29	80.2133.30.2	OIL SEAL DIA. 35x45x7	1	69	81.2521.00.2	IR RING 12X16X20	3
30	86.2355.00.2	BOLT M6X45	1	70	80.6429.00.2	KEY 4x4x20	1
31	31.1747.43.2	CRANKSHAFT	1	71	83.5016.30.2	NIPPLE G.3/8 M-G.3/8 F	1