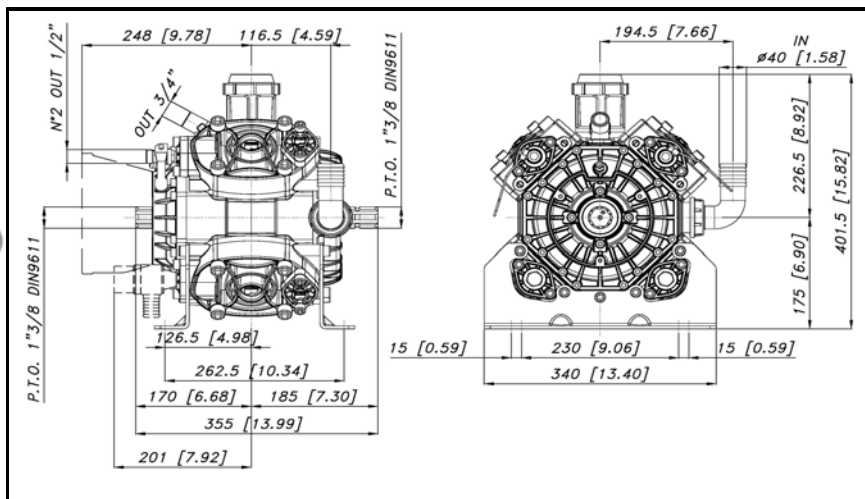
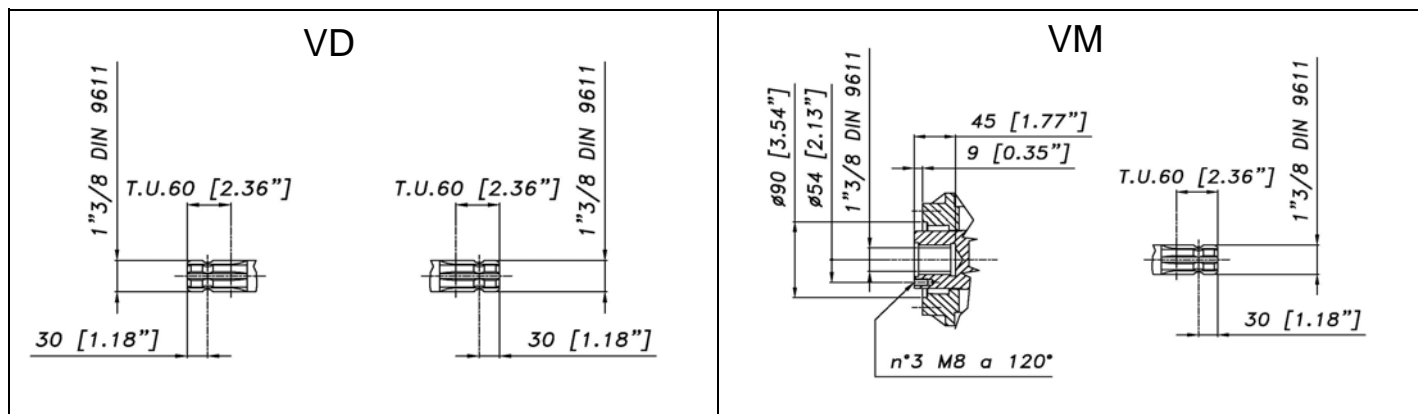


DIMENSIONI D'INGOMBRO - OVERALL DIMENSIONS



ALBERO POMPA - PUMP SHAFT



COPPIA DI SERRAGGIO - TORQUE CHART

CODICE - CODE	Q.TY	POS	N-m	Lbr.ft
86.2730.00.2	20	3	22	16,2
86.2752.00.2	8	4	22	16,2
86.3265.00.2	9	12	44	32,5
86.3347.00.2	1	15	44	32,5
41.9835.97.3	4	22	25	18,5
86.4250.00.2	16	45	108	79,7
86.3300.00.2	16	52	44	32,5

Tolleranza di serraggio: 0/-10%
Tolerance on torque value:

INFORMAZIONI UTILI
USEFUL INFORMATION

LUBRIFICANTE- LUBRICANT:
OLIO MOTORE O SEMIIDRAULICO SAE 30
MOTOR OIL OR SEMI-HYDRAULIC OIL SAE 30

PRESSIONE ACCUMULATORE
ACCUMULATOR PRESSURE

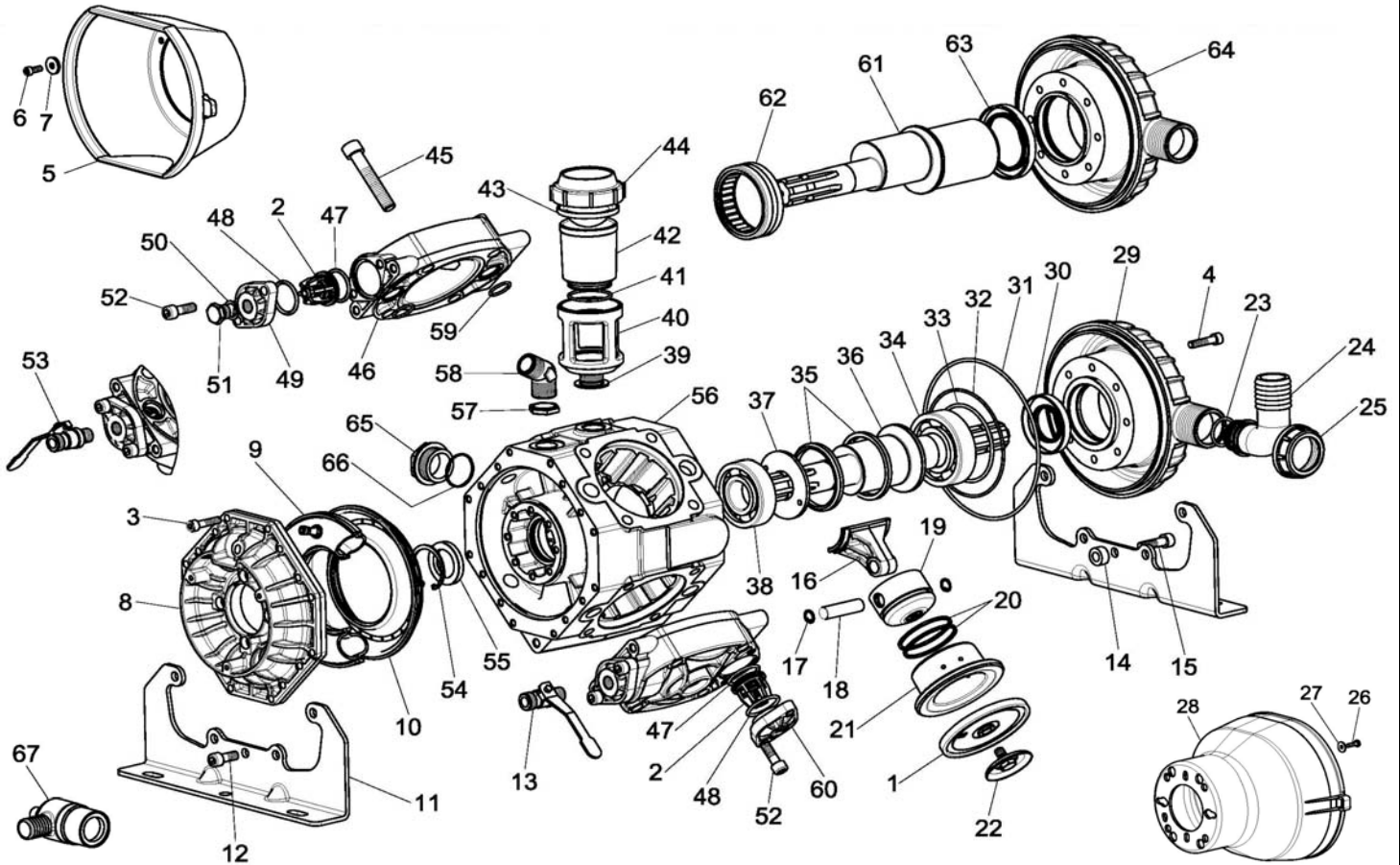
PRESSIONE DI LAVORO - OPERATING PRESSURE	2 ÷ 5	5 ÷ 10	10 ÷ 20	20 ÷ 50
ACCUMULATORE ACCUMULATOR	2	2 ÷ 5	5 ÷ 7	6 ÷ 8

KIT MEMBRANE - DIAPHRAGMS KIT

KIT	BUNA - N			DES MOPAN	VITON						PENTAX		
	1	9	59		1	9	31	32	47	48		59	
POSIZIONE ESPLOSO POSITION NUMBER	1	9	59	1	9	31	32	47	48	59	1	9	59
QUANTITA' NEL KIT QUANTITIES INCLUDED	4	1	8	4	1	1	1	8	8	8	4	1	8

KIT POMPA/KIT VALVOLE - PUMP KIT/VALVES KIT

KIT	KIT POMPA VD PUMP KIT VD								KIT POMPA VM PUMP KIT VM	KIT VALVOLE VALVE KIT									
	55	30	59	31	32	33	47	48											
POSIZIONE ESPLOSO POSITION NUMBER	55	30	59	31	32	33	47	48	55	63	59	31	32	33	47	48	2	47	48
QUANTITA' NEL KIT QUANTITIES INCLUDED	1	1	8	1	1	1	8	8	1	1	8	1	1	1	8	8	8	8	8



POS.	CODICE PART NO. REF.	DENOMINAZIONE - DESCRIPTION - DESCRIPTION	Q.TY
1	95.0040.31.2	BUNA-N PISTON DIAPHRAGM	4
1	95.0040.33.2	VITON PISTON DIAPHRAGM (OPTIONAL)	4
1	95.0040.00.2	DESMOPAN PISTON DIAPHRAGM (OPTIONAL)	4
1	95.0040.36.2	HPS PISTON DIAPHRAGM (OPTIONAL)	4
2	35.9802.97.3	VALVES ASSEMBLY	8
3	86.2730.00.2	SCREW M8x30 UNI 5931	20
4	86.2752.00.2	SCREW M8x35 UNI 5931	8
5	31.1466.32.2	PLAIN SAFETY CONE (OPTIONAL)	1
6	86.1846.00.2	SCREW M5,5x16 UNI 6954 (OPTIONAL)	3
7	84.3560.00.2	WASHER DIA. 5,5x15x1,6 (OPTIONAL)	3
8	41.0105.09.2	BALLASTER COVER	1
9	41.0120.97.3	NBR BALLASTER DIAPHRAGM	1
9	41.0121.97.3	VITON BALLASTER DIAPHRAGM (OPTIONAL)	1
9	41.0122.97.3	EPDM BALLASTER DIAPHRAGM (OPTIONAL)	1
9	41.0123.97.3	HPS BALLASTER DIAPHRAGM (OPTIONAL)	1
10	41.0104.09.2	LOWER BALLASTER	1
11	41.0113.61.2	MOUNTING RAIL	2
12	86.3265.00.2	SCREW M10x25 UNI 5931	9
13	84.5544.10.2	LEFT TAP G.3/8-G.1/2	1
14	41.0115.75.2	MOUNTING RAIL SPACER	1
15	86.3347.00.2	SCREW M10x35 UNI 5931	1
16	41.0009.09.2	CONROD	4
16	41.0047.11.2	BRONZE CONROD (OPTIONAL)	4
17	80.0021.00.2	RING DIA.15	8
18	85.2007.00.2	PISTON PIN DIA.15x54	4
19	41.0025.09.2	PISTON	4
20	81.8524.00.2	PISTON RING	8
21	41.0026.01.2	PISTON SLEEVE	4
22	41.9835.97.3	KIT DISK + SCREW INOX	4
23	80.3219.10.2	O-RING DIA. 3.0x30	1
24	84.0591.00.2	90° ELBOW CONNECTOR DIA.40-1,57"	1
25	82.0070.00.2	WING NUT G.1"1/2	1
26	86.1846.00.2	SCREW M5,5x16 UNI 6954 (OPTIONAL)	4
27	84.3560.00.2	WASHER DIA.5,5x15x1,6 (OPTIONAL)	4
28	31.1482.32.2	PLAIN SAFETY CONE L.180 (OPTIONAL)	1
28	31.1468.32.2	PLAIN SAFETY CONE L.135 (OPTIONAL)	1
29	41.0112.09.2	INLET COVER "VD"	1
30	80.2190.00.2	OIL SEAL DIA.40x72x10 "VD"	1
31	80.3295.00.2	O-RING DIA.3,53x190,10	1
31	80.3295.50.2	O-RING DIA.3,53x190,10 (KIT VITON)	1

POS.	CODICE PART NO. REF.	DENOMINAZIONE - DESCRIPTION - DESCRIPTION	Q.TY
32	80.3210.70.2	O-RING DIA.2,62x126,67	1
32	80.3210.75.2	O-RING DIA.2,62x126,67 (KIT VITON)	1
33	80.3291.00.2	O-RING DIA.3,53x88,5	1
34	81.2913.00.2	BEARING 45X90X23	1
35	14.0015.76.2	CONROD HOLDING RING	2
36	41.0033.26.2	CRANKSHAFT "VD" (1"3/8 M-M)	1
37	41.0023.61.2	CIRCLIP	1
38	81.2867.00.2	BEARING 35X80X21	1
39	82.4191.00.2	GASKET DIA.27x38x2	1
40	41.0015.09.2	OIL FILLER BODY	1
41	80.3209.40.2	O-RING DIA.2,62x44,12	1
42	41.0016.32.2	OIL FILLER	1
43	41.0017.31.2	OIL FILLER DIAPHRAGM	1
44	28.0144.32.2	OIL FILLER COVER	1
45	86.4250.00.2	SCREW M14x70 UNI 5931	16
46	41.0111.09.2	PUMP HEAD	4
47	80.3251.00.2	O-RING DIA.3,53x32,93	8
47	80.3251.50.2	O-RING DIA.3,53x32,93 (KIT VITON)	8
48	80.3262.00.2	O-RING DIA.3,53x41,28	8
48	80.3262.50.2	O-RING DIA.3,53x41,28 (KIT VITON)	8
49	41.0110.09.2	VALVE COVER G.3/8"	4
50	82.4107.00.2	GASKET	2
51	85.2579.00.2	CAP G.3/8"	2
52	86.3300.00.2	SCREW M10x30 UNI 5931	16
53	84.5544.00.2	RIGHT TAP G.3/8-G.1/2	1
54	80.1369.00.2	RING DIA.52	1
55	80.2143.10.2	OIL SEAL DIA.35x52x7	1
56	41.0108.09.2	CRANKCASE	1
57	81.4909.00.2	NUT G.3/4 OT.	1
58	83.5063.28.2	60° ELBOW CONNECTOR G.3/4	1
59	80.3200.00.2	O-RING DIA.2,62x22,22	8
59	80.3200.50.2	O-RING DIA.2,62x22,22 (KIT VITON)	8
60	41.0109.09.2	VALVE COVER	4
61	41.0042.26.2	CRANKSHAFT "VM" (1"3/8 M-F)	1
62	81.3027.00.2	BEARING 72X90X25	1
63	80.2286.00.2	OIL SEAL DIA.72x90x10 "VM"	1
64	41.0116.09.2	INLET COVER "VM"	1
65	85.3520.00.2	NYLON CAP M40x1,5	1
66	80.3080.10.2	O-RING DIA.1,78x34,65	1
67	24.3050.97.3	SAFETY VALVE 50 BAR (OPTIONAL)	1